
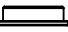



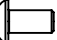

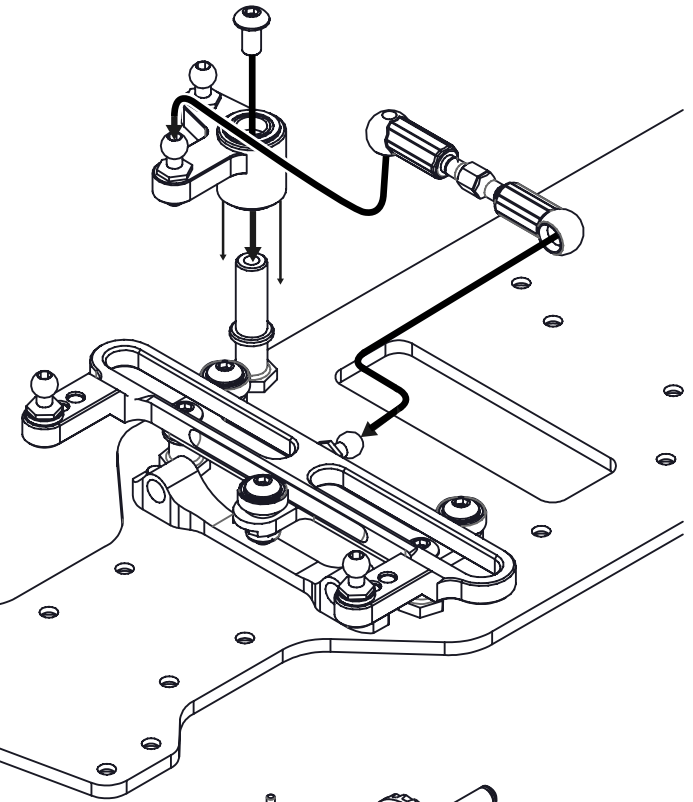
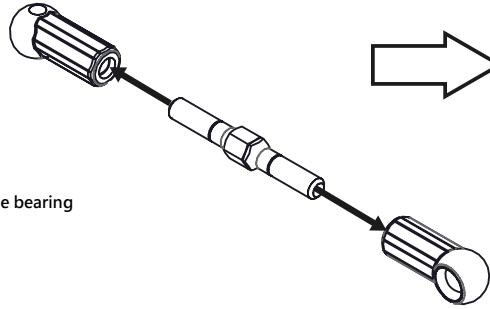
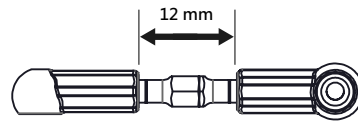
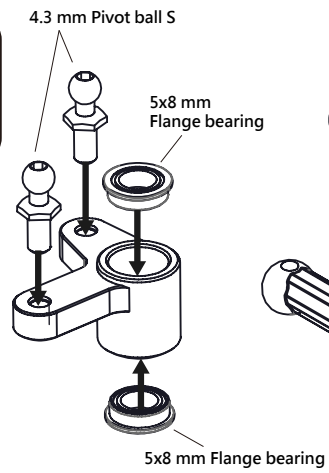
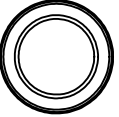
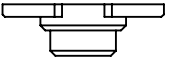
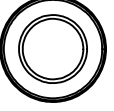
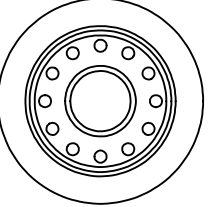


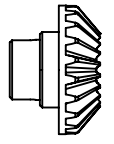
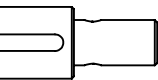
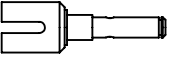

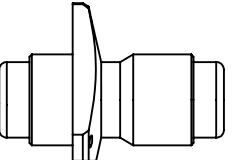




**BAG  
C**

-  4.3mm Pivot ball --X 2
-  5x8mm Flange bearing --X 2
-  27mm Tunebuckle --X 1
-  Rod end S --X 2
-  Steering horn --X 1
-  M3x6mm buttonhead --X 1
-  M2x4mm Caphead --X 3



**BAG  
D**

-  10x15mm Bearing --X 2
-  Input shaft plate --X 1
-  8x14mm Bearing --X 1
-  40T Pulley --X 1
-  1.5x7.8mm pin --X 1
-  3mm E-clip --X 1
-  20T Bevel gear --X 1
-  Drive cup --X 2
-  Center drive cup
-  O ring --X 4
-  Front one way --X 1
-  5x10mm bearing --X 1
-  6x9x0.5mm shim --X 4

