

**BAG
G**

□ --X 2
M3x3mm set screw

⌋ --X 1
M3mm E-clip

⌋ --X 2
M3x6mm buttonhead

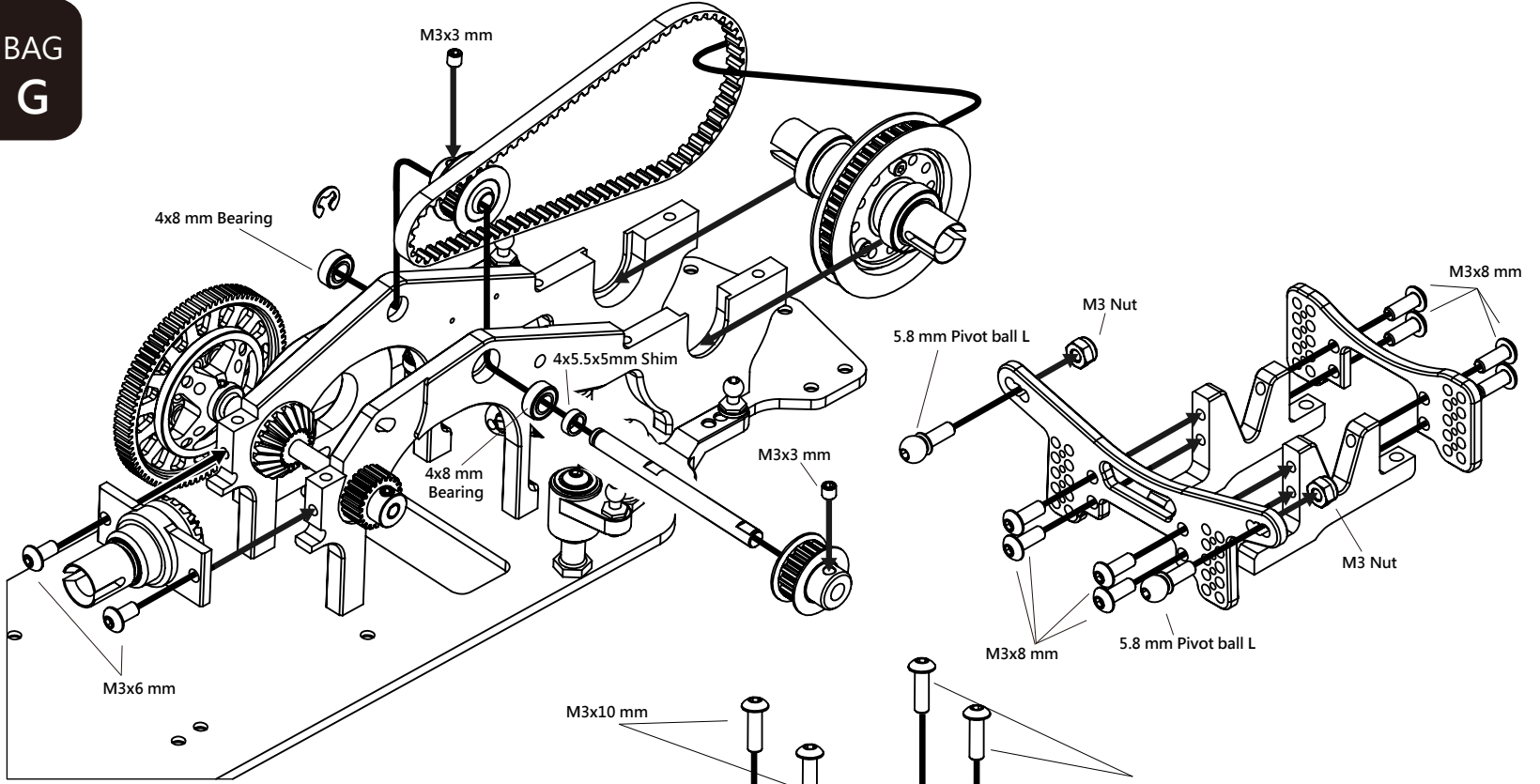
○ --X 1
4x5.5x2mm Shim

⊗ --X 2
4x8x3mm bearing

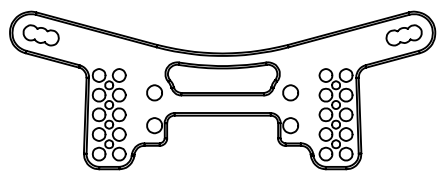
⌋ --X 1
15T Pulley set

219mm Belt --X 1

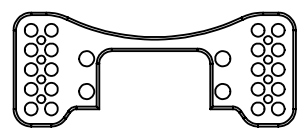
Idler gear shaft_02 --X 1



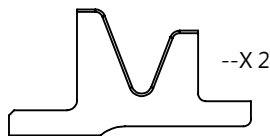
**BAG
H**



Front shock tower --X 1



Front upper arm holder --X 1



Front bulkhead cap

⌋ --X 8
M3x8mm buttonhead

⌋ --X 2
5.8mm Pivot ball bolt type L

⌋ --X 4
M3x10mm buttonhead

⌋ --X 2
M3 locknut black

